

Markmate Pneumatic

Extremely User Friendly Machine

Highly configurable, fully programmable dot making machine for use in all industrial environments where the highest build quality and technical functionality are required for the most demanding applications.

Technology

The Markmate Pneumatic Marking System is the flagship dot marking product in the Smartmark range. Fully programmable, highly configurable the Markmate Pneumatic is able to cope with any industrial dot marking application by virtue of its robust modular construction. The configuration options simply mean the Markmate Pneumatic can be built to meet a single range of marking application depending upon the user specific requirements. The class leading software ensures the system is easy to use. Unique head design guarantees the system is tough to last while operating in the most hostile of industrial environments. The modular construction ensures upgrade paths are available to help future proof any system purchased.



- **Single Marking System for all Requirements**
- **Quiet, Fast, Efficient Marking**
- **Stand-Alone or Integrated**
- **Wide Range of Options**
- **2D DataMatrix Code Marking**

Highly configurable

Easy to Use

Flexible Marking Area

Two Level Password protection

Can Mark on Irregular Surfaces

Single Marking System for all Requirements

High Flexibility suits most marking applications from a single programmable system. Two different marking windows are available as standard options : 100mm x 100mm and 150mm x 150mm to ensure the head is matched to the exact marking requirements. Variable force control to ensure optimum mark depth for all engineering materials up to 62 Rc (800 Hv).

Quiet, Fast, Efficient Marking

Requiring compressed air supply and powered by a standard 240 volt (110 volt available) electric source, the Markmate Pneumatic is both highly efficient.

Stand Alone or Integrated

The separate controller protects the electronics from the mechanical shock loading generated in the marking head and the large high contrast LCD screen gives users clear control over the marking operation without the need for a separate PC. The controller also provides connectivity options through RS232 serial and digital I/O ports.

Wide Range of Options

Hardware, Software and after sales options ensure the Markmate Pneumatic meets your exact needs.

2D Data Matrix Code Marking

The Markmate Pneumatic meets rigorous demands of 2D Data Matrix Code Marking.

Stylus Options

55, 100, 160mm lengths available. Solid Carbide, sharp point and mini-stress tipped stylus available on request. Customised variations available on request.

Coding and Vision Systems

2D coding and vision reading system solutions are available.

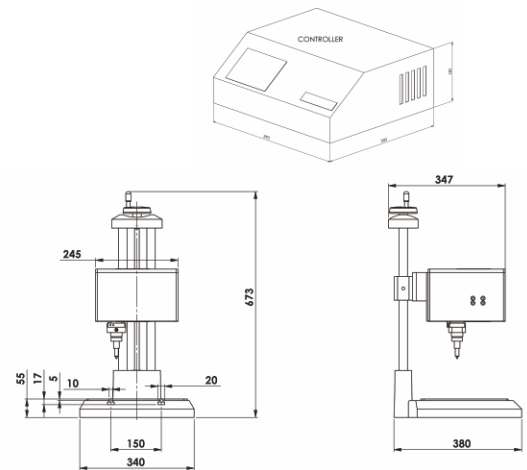
Customised Solutions

Smartmark have extensive mechanical and software design resource dedicated to the provision of customer specified marking solutions designed to order. Smartmark will manage the entire project from products election and trialling through to installation, commissioning and training.



Technical Specifications

- Weight- Marking Head With column = 32Kg, Controller= 10Kg
- Electrical Supply: 240v 50Hz, 110v 60Hz
- Marking Area: 100mmX100mm (Optional - 150mm X 100mm, 200mm X 100mm, 300mm X 150mm)
- Memory Capacity: Up to 1350 inscription Layouts.
- Stylus: 4mm x 70mm (Optional - 4mm X 112mm, 4mm X 150mm, 4mm X 200mm)
- Controller: Embedded LCD Type
- Keyboard: PS2 type
- X, Y Axis Control: Stepper motor driven
- Start /Stop Box: Twin Button on manual
- Marking Format: Dot matrix 5 x7, 7 x 9, Varidot, 2D Data Matrix coding



www.amtcpl.com



info@amtcpl.com

Toll Free : 18002667610

Asian Machine Tool Corporation Pvt Ltd

Head Office:

Gat No. 1239B, Office No.3, 1st Floor, 'F' Wing,
Mulshi Vaibhav, Opp. Pirangut Police Station, Pirangut, Pune - 412 108
Ph No. : +91 9011 085 733, 9011 074 122

Sales Office :

Office No. 12, B wing, 3rd floor, Krishnai Apartment,
Near Pune Eye Hospital, Parihar Chowk, Aundh, Pune - 411 007
Ph No. +91 86860 16161

Chennai Office :

1st Floor, No.7, Dr. Ambedkar Nagar, 2nd Street, Karunanidhi Road,
Kumar Colony Main Road, Vadapalm, Chennai - 600 026
Ph No.: 044 - 2362 0035

