



*Impressions Unlimited...*

**Authorized Distributor**

**MARKS  
PRYOR**

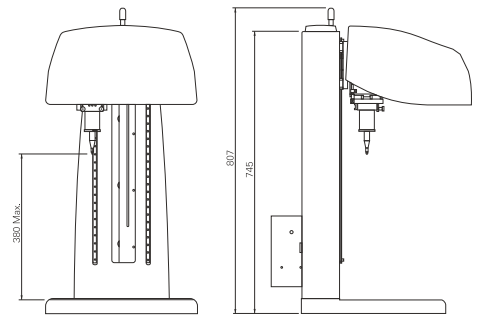
MARKING TECHNOLOGY



# Marktronic™ 3000 Multidot™

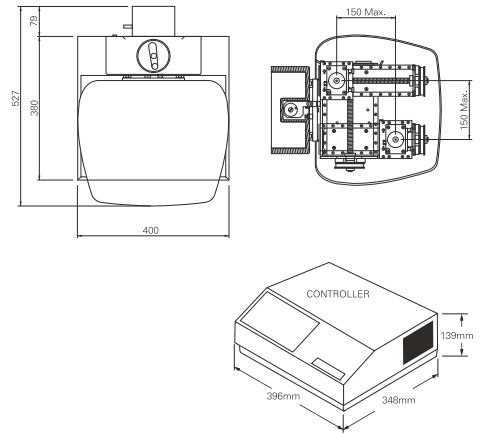


intelligent marking solutions



## technical specifications

<b>Weight:</b>	Marking head/table/column: 34kg Controller: 10kg
<b>Electrical Supply:</b>	220v 50Hz, 110v 60Hz
<b>Marking Area:</b>	100x100mm and 150x150mm
<b>Memory Capacity:</b>	Up to 1350 inscription layouts
<b>Stylus:</b>	4mm x 100mm (50mm, 150mm and 225mm lengths optional)
<b>Controller:</b>	Embedded LCD type
<b>Keyboard:</b>	PS2 type, 'mini' keyboard optional
<b>X, Y Axis Control:</b>	Steppermotor driven
<b>Z Axis Control:</b>	Manual adjustment – Stepper driven optional
<b>Start/Stop Box:</b>	Twin button on manual Z – Additional controls on powered Z
<b>Marking Format:</b>	Dot Matrix 5 x 7, 7 x 9, Varidot, 2D Data Matrix coding



### Twin Head Machines

For use when marking cycle time is critical. Twin headed systems can double production output or half cycle time. Each head can be configured to mark different data within a single cycle.

### Stylus Options

50,100,150 and 300mm lengths available. Solid Carbide, sharp point and mini-stress tipped styli available on request. Customised variations available on request.

### Coding and Vision Systems

Fully integrated 2-D Data Matrix marking and verification solutions available to meet the latest Aerospace, Automotive & DoD IUID requirements.

### Customised Solutions

Marks Pryor have extensive mechanical and software design resource dedicated to the provision of customer specified marking solutions designed to order. Marks Pryor will manage the entire project from product selection and trialling through to installation, commissioning and training.

### Software Options

#### Entry Level System

All standard features, including variable fonts & character size, serial numbers, arc marking, logos, serial I/O.

### Full Level System

All entry level options plus reverse marking, speed control, digital I/O, time and date functions and other advanced features.

### Data Matrix Option

If you need the ability to encode your data into a 2-D Data Matrix machine readable code, this software option allows you to select the best suited code & matrix size for your application.

### MarkMaster™ Software

The optional MarkMaster software may be used to drive the machine via the PC Windows environment rather than the traditional embedded controller LCD menu system. MarkMaster™ enables on-screen creation of marking layouts using a simple drag and drop graphical interface. Allows the creation and marking of logos using the in-built graphics tools alternatively DXF and HPGL formats can be imported from other CAD systems. The advanced trial run feature allows layouts to be rapidly created and checked before the part is marked. The marked text is positioned onscreen while the machine outlines the marking position on the part itself.

### MarkMaster™

#### Features include

- Range of high speed fonts (5x7, 7x9, Varidot)
- Advanced Trial Run
- Time and Date marking
- Angled, Arc & Reverse marking
- Graphics tools
- CAD File import facility
- Variable and Serial Number marking

#### MarkMaster™ Advanced features include

- (Upgrade available as optional extra)
- Supports all Windows True Type Fonts for decorative marking
  - Database connectivity for marking data queries
  - Database connectivity for duplicate data checking
  - Security Password features
  - Data logging for marking report generation

#### Customised Software

Marks Pryor's software team work with customers to specify and write bespoke solutions to meet their needs.



## Authorized Distributor



## Asian Machine Tool Corporation Pvt Ltd

Gat No-1239 B, Flat No- 03, 1<sup>st</sup> Floor "F" Wing, Mulshi Vaibhav, Opp Pirangut Police Station.

Pirangut, Mulshi, Pune – 412 108 (Maharashtra), India

Mob no ; - 8378965091,

Office:-8378980175

Email:- saleswest@amtcp.com

admin@amtcp.com

### : Branches :

Pune , Aurangabad, Nashik, Nagpur, Kolhapur, Hubali, Belgoan, MP, Hyderabad, Banglore, Chennai, Coimbtore